

HAEBERLE

mobile workstations

type list valid from 1 July 2017

smart and agile

equipment cart system
light duty



bravo[®]

bravo



- the smart and agile equipment cart

The "bravo" cart series is presented in light design and has been designed specifically for small devices. Elegant, variable and surprisingly inexpensive, "bravo" provides a stable base for versatile use wherever devices are made for mobile use and value is placed on good styling.

Base of the system is an easily manoeuvrable yet stable chassis with high quality double swivel castors. The light, sophisticated two part aluminium carrier profile, with integrated cable duct, ensures order and offers enough space for fixing accessories.

Standard colour design in grey and aluminium colours with decorative strips in grey, blue or yellow. The "bravo" equipment cart is the optimal series for extra individualisation.

We have been tailoring solutions for our customers since 1933. From our broad range of tried and tested basic and functional carts or customised according to your unique corporate identity. Request your "HAEBERLE MAKES IT" brochure. Our team would be happy to offer creative advice.



The "bravo" system is especially well suited for your individual ideas. You are looking for a special small equipment cart, e.g. for your newly developed device? Then contact our sales team, telephone +49 (0) 711 78314-0. Thanks to decades of experience, we will find the perfect solution for you.

The "bravo" equipment cart series stands for reliable brand quality at a reasonable price and is protected with a European design patent.

Features: Light, small equipment cart with super mobile chassis, two part aluminium carrier profile with decorative strips in the front and at the back as well practical cable ducts. Ideally suited for taking up plates, multiple socket outlets and various, easily adaptable accessories.

Function: As a mobile light duty equipment cart with almost infinitely many applications.

Application: In doctor's offices, laboratories, dental practices, clinics, beauty studios, meeting rooms and industrial companies.

Note: Special requirements for equipment manufacturers with special plates, holders, attachments in special dimensions and special colours individually realisable.

Components

- Stable aluminium cast chassis, powder-coated, basalt grey (RAL 7012).
- Standard with high quality double swivel castors, Ø 75 mm, 2 brakes and grey wall guards.
- 2 standard heights or customised dimensions.
- Two part aluminium carrier profile, anodised with integrated cable duct.
- High grade, stable plates, partially with moulded pull handle or lateral push handles.
- Plates in different sizes made of metal or ABS plastic.
- Decorative strips in grey, blue, yellow or the colour of your company.
- Many different practical accessories, fixable to the front or the back of the carrier profile and retrofittable at any time.
- Special versions, special dimensions and special colours on request.

Technical details / dimensions

Maximum load capacity:	25 kg
Carrier profile height:	780 mm / 900 mm
Castors Ø:	4 castors with wall guards and 2 brakes 75 mm standard 100 mm optionally
Electrically conductive castors:	optionally for surcharge
Outer dim. metal plates:	500 x 392 mm (w x d) 280 x 400 mm (w x d) 319 / 290 x 225 mm (w1 / w2 x d)
Storage space metal plate:	312 / 284 x 400 mm (w1 / w2 x d)
Load capacity metal plates:	approx. 5 kg / 20 kg

Materials / colours

Carrier profile:	aluminium anodised
Chassis:	aluminium cast, powder-coated, basalt grey (RAL 7012), matt fine structure
Decorative strips in the profile:	made of PVC in the colours: grey (6502B acc. NCS) blue (3050-R80B acc. NCS) yellow (0050-Y acc. NCS)
Plates:	sheet steel, high quality powder-coated, white-aluminium
Storage bowl:	plastic (polycarbonate), white
Castors:	polyurethane

Item	Description	Ref. no.
------	-------------	----------

Please specify the last digit of the reference number on the colour code for decorative strips.

xxxx1 = grey, xxxx2 = blue, xxxx4 = yellow

Further colours are available on request and at a surcharge.

Equipment carts

Elegant and inexpensive carts for your devices.

Basic carts

**bravo
basic cart 1**



with plate (metal), 280 x 400 mm
(w x d), pull handle.

2701.

Carrier profile 780 mm high.

Dim.: 577 x 577 x 986 mm (w x d x h)

**bravo
basic cart 2**



with plate (metal), 443 x 400 mm
(w x d), pull handle and 2 lateral
push handles, basalt grey (RAL 7012).

2702.

Carrier profile 780 mm high.

Dim.: 577 x 577 x 986 mm (w x d x h)

**bravo
basic cart 3**




with plate (metal), 280 x 400 mm
(w x d), pull handle and small plate
below 319 / 290 x 225 mm (w x d).

2703.

Carrier profile 780 mm high.


Dim.: 577 x 577 x 986 mm (w x d x h)


Item	Description	Ref. no.
bravo basic cart 5 new	 <p data-bbox="657 241 1028 376">with plate 280 x 400 mm (w x d), pull handle, additional plate below, 324 x 240 mm (w x d) including extensible storage bowl for accessory parts.</p> <p data-bbox="657 421 960 448">Carrier profile 780 mm high.</p> <p data-bbox="657 474 1065 501">Dim.: 577 x 577 x 986 mm (w x d x h)</p>	2707. <input type="checkbox"/>

bravo basic cart 6 new	 <p data-bbox="657 638 1005 689">with plate (metal), 500 x 392 mm (w x d), pull handle.</p> <p data-bbox="657 734 960 761">Carrier profile 780 mm high.</p> <p data-bbox="657 788 1065 815">Dim.: 577 x 577 x 986 mm (w x d x h)</p>	2736. <input type="checkbox"/>
----------------------------------	--	--------------------------------

Functional carts

Equipment carts

bravo equipment cart 1 new	 <p data-bbox="657 1243 1081 1377">with plate (metal) on top, 500 x 392 mm (w x d), pull handle, additional plate below (metal), 324 x 240 mm (w x d), including extensible, white storage bowl (polycarbonate) for accessory parts.</p> <p data-bbox="657 1422 960 1449">Carrier profiles 900 mm high.</p> <p data-bbox="657 1476 1081 1503">Dim.: 577 x 577 x 1103 mm (w x d x h)</p>	2750. <input type="checkbox"/>
--------------------------------------	---	--------------------------------

bravo equipment cart 2 new	 <p data-bbox="657 1684 1081 1818">with plate (metal) on top, 500 x 392 mm (w x d), pull handle, filing basket for accessory parts, in the front of the profile, multiple socket outlets (3 fold), integrated between the profiles.</p> <p data-bbox="657 1863 960 1890">Carrier profiles 900 mm high.</p> <p data-bbox="657 1917 1081 1944">Dim.: 577 x 577 x 1103 mm (w x d x h)</p>	2719. <input type="checkbox"/>
--------------------------------------	--	--------------------------------

Item	Description	Ref. no.
Computer cart / Tablet cart / Ergometry cart		

bravo
computer cart 1

new



with plate (metal) and integrated TFT mount (VESA standard 75 / 100 mm), rotatable and inclinable. For the adaption of flat screen monitors.

2715.

Carrier profile 780 mm high.

Dim.: 577 x 577 x 1393 mm (w x d x h)

bravo
tablet cart 1

new



with plate (metal), storage space 317 x 330 mm (w x d), pull handle and lateral push handles, basalt grey (RAL 7012). High quality, lockable, tablet mount made of sturdy aluminium with elegant stainless steel fastening part and adjustable safety brackets. **Theft-proof.**

2716.

Suitable for most tablets sizes from 13.5" 22" (h) to 7.9" 13" (w). Maximum depth: 23 mm, load capacity up to 2.3 kg.

Carrier profile 780 mm high.

Dim.: 577 x 577 x 1313 mm (w x d x h)

bravo
ergometry cart 1

new



with plate (metal) 280 x 400 mm (w x d), pull handle and integrated cable and hose holder, made of aluminium with one hand adjustment. Reach 950 mm.

2718.

Carrier profile 780 mm high.

Dim.: 577 x 577 x 1800 mm (w x d x h)

Item	Description	Ref. no.
------	-------------	----------

Hygiene carts / Dental cart

**bravo
hygiene cart 1**

new



with disinfectant dispenser to take up 1 litre bottles incl. removable drip tray.

2747.

Carrier profile 780 mm high.

Dim.: 577 x 588 x 1068 mm (w x d x h)

**bravo
hygiene cart 2**

new



with holder for dispenser boxes of disposable gloves or tissues. Disinfectant dispenser to take up 1 litre bottles incl. removable drip tray.

2708.

Carrier profile 900 mm high.

Dim.: 577 x 577 x 1247 mm (w x d x h)

**bravo
dental cart 1**

new



with plate (ABS plastic) on top, 500 x 390 mm (w x d), oriongrey (from the "fuego" range), incl. front handle, white-aluminium (RAL 9006). Additional plate below, with extensible, white storage bowl (polycarbonate) for accessory parts.

2709.

Carrier profile 780 mm high.

Dim.: 577 x 577 x 1002 mm (w x d x h)

System parts and accessories

The Ref. no. include the attachment fittings. Accessories can retrofitted.

Chassis / Storage plates



aluminium cast, powder-coated, basalt grey (RAL 7012), matt fine structure, including two part aluminium carrier profile, 4 castors Ø 75 mm, with wall guards and 2 brakes. Load capacity up to 25 kg.

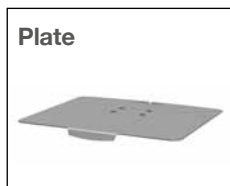
Ref. no. 2705.

Dim.:
577 x 577 x 983 mm (w x d x h)

Carrier profile 900 mm high

Ref. no. 2706.

Dim.:
577 x 577 x 1103 mm (w x d x h)



with moulded pull handle and cut-outs for cable guide. Sheet steel, powder-coated, white-aluminium (RAL 9006). Load capacity up to 20 kg.

Dim.:
500 x 392 mm (w x d)

Ref. no. 27048

new



with moulded pull handle and cut-outs for cable guide. Sheet steel, powder-coated, white-aluminium (RAL 9006). Load capacity up to 20 kg.

Dim.:
280 x 400 mm (w x d)

Ref. no. 27311

new



for mounting on the profile at the front. Sheet steel, powder-coated, white-aluminium (RAL 9006). Load capacity up to 5 kg.

Dim.:
319 / 290 x 225 mm
(w1 / w2 x d)

Ref. no. 27391



Plate with storage bowl

Plate made of sheet steel, powder-coated, white-aluminium (RAL 9006), with extensible, white storage bowl (polycarbonate), disinfectable and dishwasher safe, temperature resistant from 30 ° up to + 120 °C.

Plate dim.:
324 x 240 x 76 mm (w x d x h)

Inner dim.:
230 x 150 x 55 mm (w x d x h)

Ref. no. 27038

new



Plate

with moulded pull handle, cut-outs for cable guide, made of sheet steel, powder-coated, white-aluminium (RAL 9006) and 2 lateral push handles, basalt grey (RAL 7012). Load capacity up to 20 kg.

Outer dim.:
443 x 400 mm (w x d)

Storage space:
312 / 284 x 400 mm (w1 / w2 x d)

Ref. no. 27351



Plate

with tablet / iPad mount. Plate made of steel, powder-coated, white-aluminium (RAL 9006) with 2 lateral push handles, basalt grey (RAL 7012). High quality, **lockable** tablet / iPad mount, made of sturdy aluminium with elegant stainless steel fastening part and adjustable **safety brackets**.

Suitable for the sizes from **13.5"- 22" (h)**, **7.9"- 13" (w)**. Max. **depth 23 mm**. Load capacity up to approx. 2.3 kg.

Ref. no. 27047

new

Plates / Filing basket / Cable clip / Castors / Standard profile rail / Multiple socket outlet



with cable and hose holder. Plate made of steel, powder-coated, white-aluminium (RAL 9006), with moulded pull handle and mount for cable and hose holder, made of aluminium with one hand adjustment. Reach 950 mm.

Ref. no. **27005**



with TFT mount. Plate made of steel, powder-coated, white-aluminium (RAL 9006) with moulded pull handle and holder for TFT mount (VESA standard 75 / 100 mm), rotatable and inclinable, middle height 348 mm, not height adjustable. Steel, powder-coated, white-aluminium (RAL 9006).

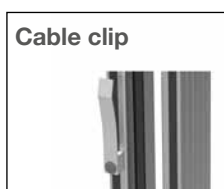
Ref. no. **27004**



to be mounted at the **front or back** of the profiles. Mesh width approx. 20 mm, steel, powder-coated, white-aluminium (RAL 9006). Load capacity up to 5 kg.

Dim.:
377 x 214 x 115 mm (w x d x h)

Ref. no. **27046**



for attaching to the back of the profile, made of grey plastic.

Ref. no. **19015**



Surcharge for 4 castors Ø 75 mm, electrically conductive, with wall guards and 2 brakes.

Ref. no. **27986**

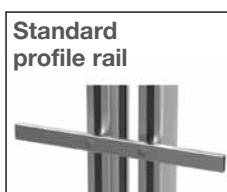


Surcharge for 4 large castors Ø 100 mm with wall guards and 2 brakes.

Ref. no. **27907**

electrically conductive

Ref. no. **27906**



for attaching at the front of the profiles, (stainless steel, brushed).

Dim.:
330 x 10 x 25 mm (w x d x h)

Ref. no. **19976**



Type F standard (Germany), for attaching between the profiles. Voltage of 230 V, max. power 3300 VA.

Dim.:
220 x 44 x 44 mm (w x d x h)

Ref. no. **21508**

Electrical accessories

Suitable for the equipment cart systems, we offer you a comprehensive range of electrical accessories in various country specific versions.

The product range contains:

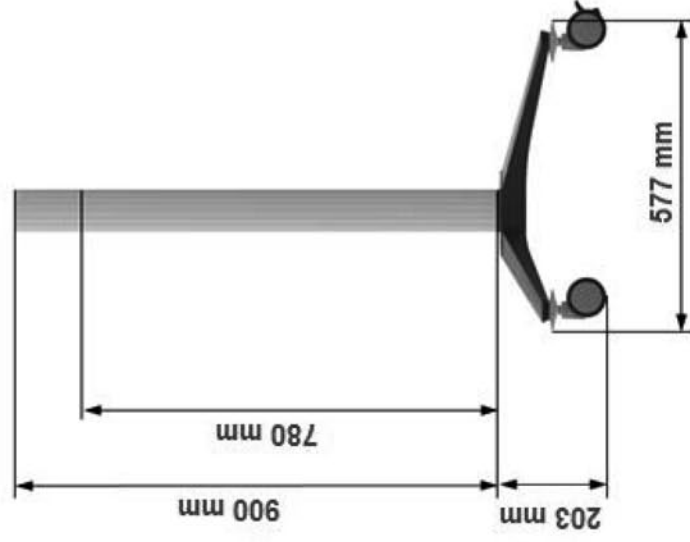
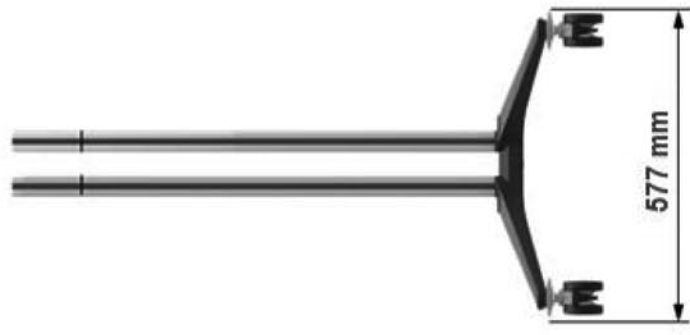
- Standard multiple socket outlets
- Modular multiple socket outlets
- Central on/off switch
- Isolating transformers
- Equipotential bonding system MultiContact POAG
- Electrical connections according to IEC 320 C13/C14
- Cable management and plug-out protection

On request we send you the separate list with information about the electrical accessories. Please feel free to contact our customer consultants.

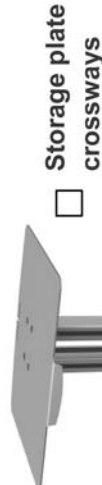
All prices are understood exclusive of VAT. As an innovative company we reserve the right to amend prices and designs. As for the rest our General Terms of Business in the valid version apply.

WEEE-Reg. no. DE 20235235



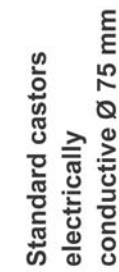


Different storage plates



Space for your ideas:

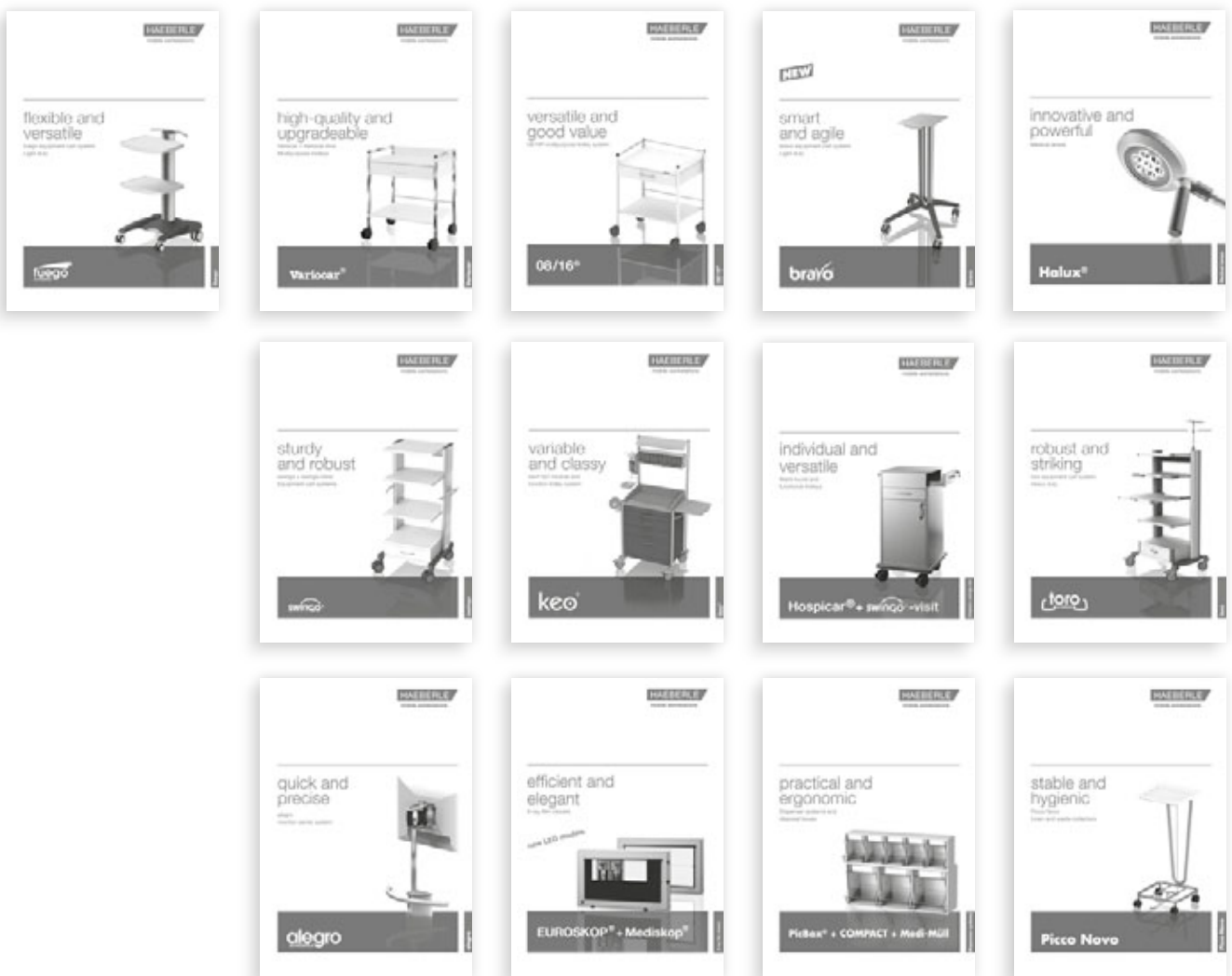
Carrier profile height



HAEBERLE

mobile workstations

Our versatile product range



Your medical distributor

HAEBERLE GmbH + Co. KG

Breitwiesenstr. 13, DE-70565 Stuttgart

P.O.Box 800524, DE-70505 Stuttgart

Phone +49 (0) 711/78314-0

Fax +49 (0) 711/78314-77

info@haeberle-med.de

www.haerberle-med.de

Version 07/17